

MODEL: GP605

SUBJECT: Cassette Jamming

LOCATION: Cassette

Details:

As the cassette is withdrawn it jams and becomes locked.

The lifter plate does not fully drop to its lowest position and subsequently jams inside the cassette, this causes the operator to force open the cassette causing damage to the shaft connected to the lifter plate.

Solution:

Adjust the pickup motor position to ensure adequate clearance between the lifter motor gear and the lifter drive gear, for details refer to S/M Page 7-65 to 7-66.

- 3) Set the cassette 3/4 in the copier without paper inside.
- 4) Check to make sure that the lifter drive gear [5] is engaged with the lifter motor gear [6] by looking from the copier's right side. Then, check to make sure that the lifter drive gear is fully away from the lifter motor gear when the cassette 3/4 releasing button [7] is pushed halfway.

Caution:

The releasing button is pushed "half-way" so that

- The separation roller moves down.
- The cassette is just about to slide out.

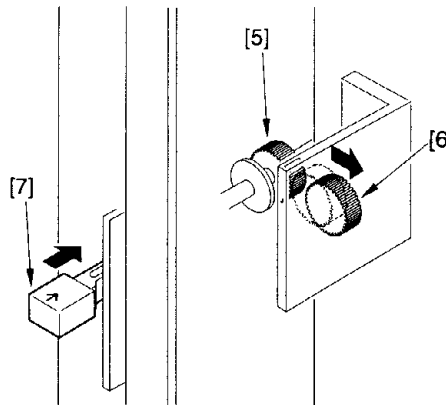


Figure 7-B824

- 5) If the lifter drive gear is not fully away from the lifter motor gear, move the lifter motor (M16/M17) [7] to the left, and push the releasing button halfway once again to make a check.
- 6) Secure the lifter motor M16/M17 fully with two screws.
- 7) Mount the removed parts, and turn on the copier.
- 8) Push the cassette releasing button under the following conditions to make sure that the cassette is slid out normally.
 - The cassette contains no paper.
 - The cassette contains about 500 sheets of paper.

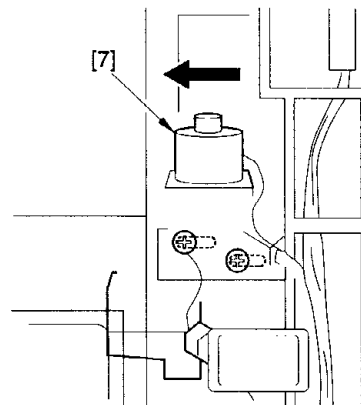


Figure 7-B825